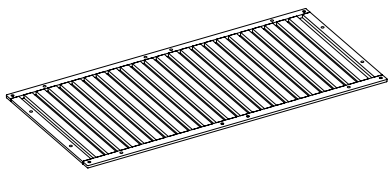


## ASSEMBLY INSTRUCTIONS

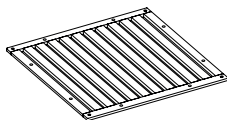
### VIS A VIS SOFA

01792	01738L	01728	01701B
01708	01704	01704S	01704B
01738R	01701R	01742	01706B
01703S	01706R	01781	01709B
01700	01709	01784	01738B
01706L	01703	01786	01796B
	01701L	01700B	01797B

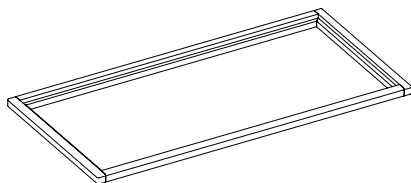
# COMPONENTS



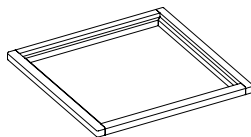
SEAT SUPPORT  
2 - seater



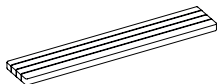
SEAT SUPPORT  
1 - seater



LARGE FRAME  
2 - seater



SMALL FRAME  
1 - seater



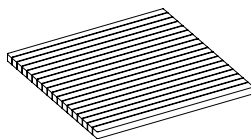
LARGE BORDER



SMALL BORDER



LEG



COFFEE TABLE TOP



LARGE BACK- / ARMREST

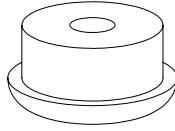


SMALL BACK- / ARMREST

To connect the legs to the frame use these 3 components:



CUSTOM BOLT



GLIDER

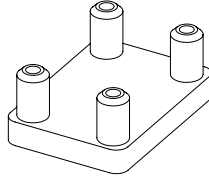


SPRING WASHER

To connect frames to each other use these 2 components:



WOODSCREW



CONNECTOR

To connect a backrest to a frame use these 2 components:

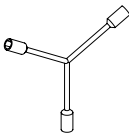


WASHER

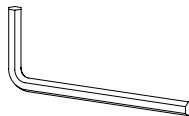


FLATHEAD SCREW

To secure all components together these tools are provided:



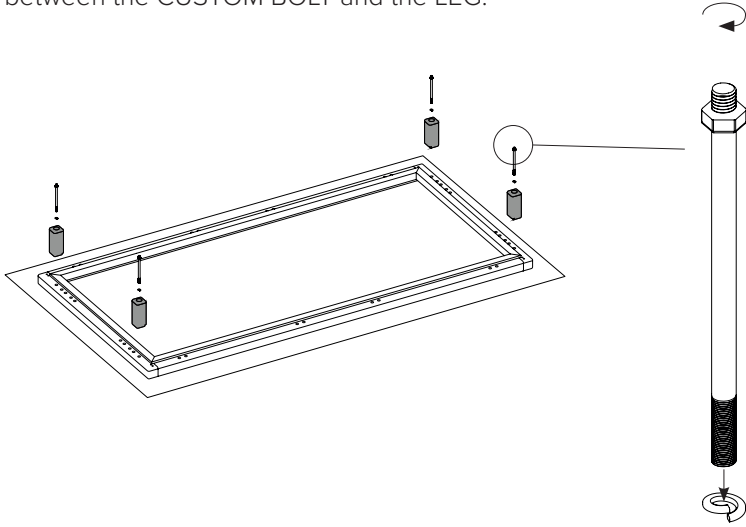
Y - KEY



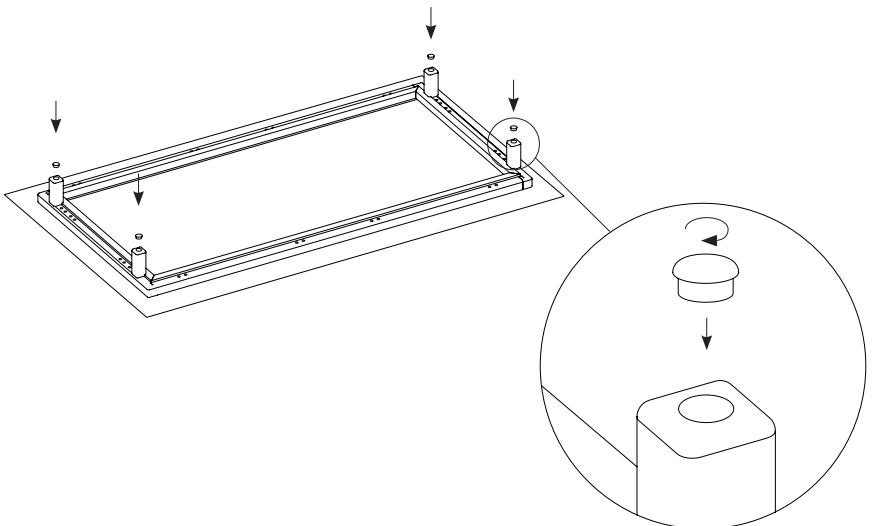
ALLEN KEY

# ASSEMBLY INSTRUCTIONS

- 1** Put the FRAME upside down on a protective cover. Secure the LEGS to the FRAME using 1 CUSTOM BOLT and 1 SPRING WASHER per LEG, to secure them use the Y-KEY. Make sure the SPRING WASHER is placed between the CUSTOM BOLT and the LEG.

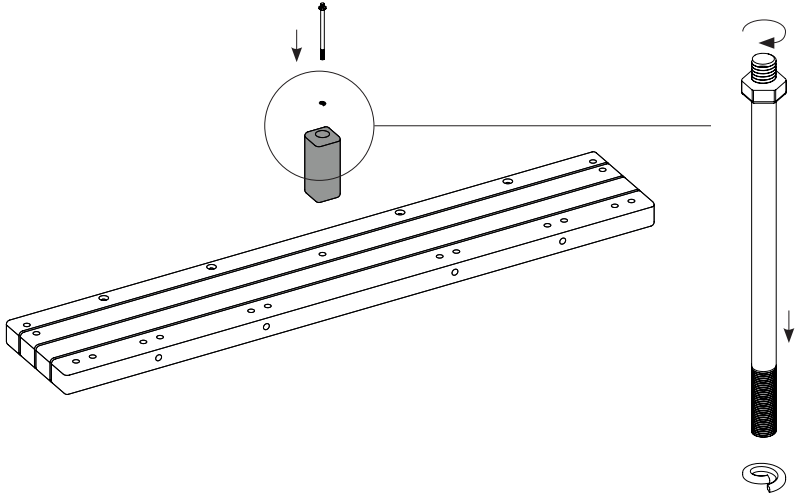


- 2** Attach the GLIDERS to the bottom side of the LEGS by turning them clockwise.

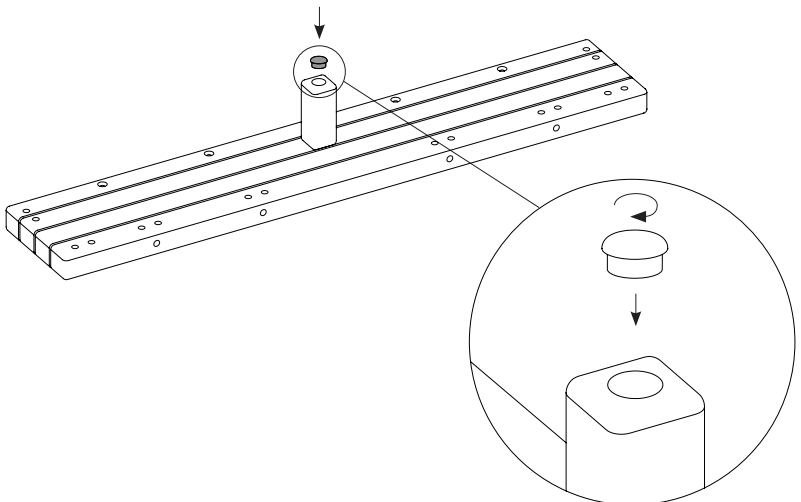


**3**

Put the BORDER upside down on a protective cover. Secure the LEGS to the BORDER using 1 CUSTOM BOLT and 1 SPRING WASHER per LEG, to secure them use the Y-KEY. Make sure the SPRING WASHER is placed between the CUSTOM BOLT and the LEG.

**4**

Attach the GLIDERS to the bottom side of the LEGS by turning them clockwise.

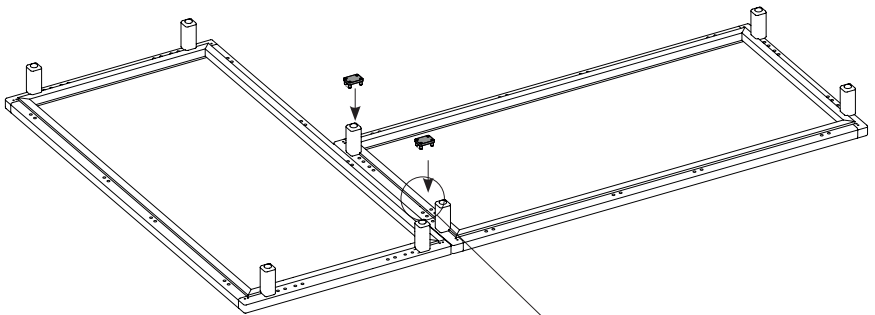


**5**

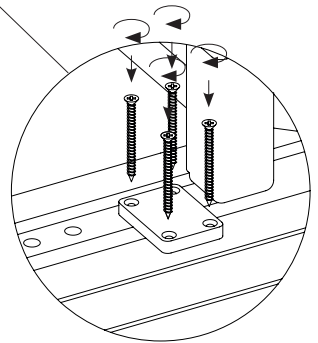
If you have a single/double module without BORDERS and no connection to another module proceed to step: **11**

**6**

Put the FRAMES upside down in the correct composition. Use a rubber hammer to attach the CONNECTORS to the FRAME. Use 2 CONNECTORS per connection.

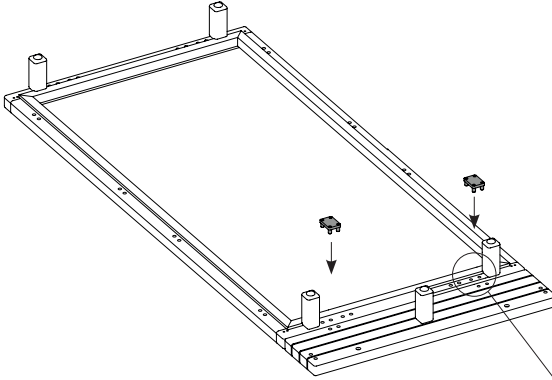
**7**

To secure the FRAMES together use 4 WOODSCREWS per CONNECTOR. Tighten the WOODSCREWS with a phillips screwdriver by turning them clockwise.

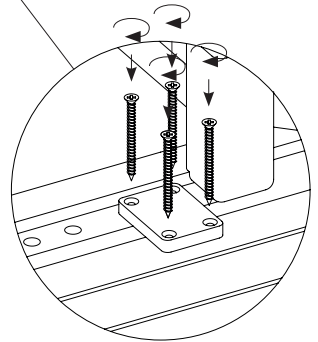


**8**

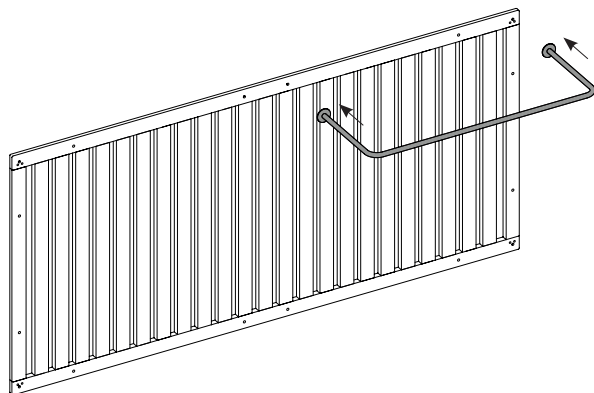
Put the FRAME and BORDERS upside down in the correct composition. Use a rubber hammer to attach the CONNECTORS to the FRAME/BORDER. Use 2 CONNECTORS per connection.

**9**

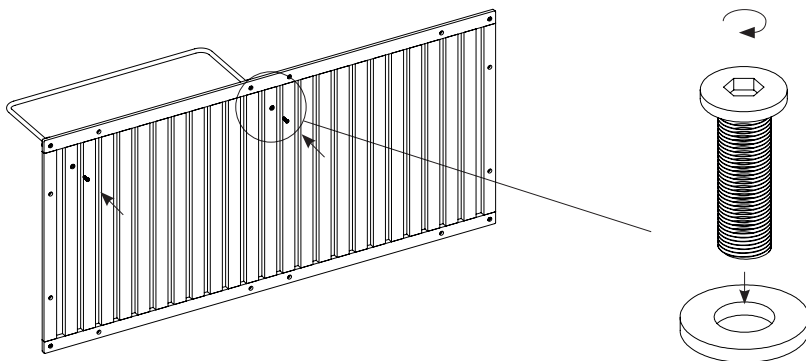
To secure the FRAME and BORDERS together use 4 WOODSCREWS per CONNECTOR. Tighten the WOODSSCREWS with a phillips screwdriver by turning them clockwise.



- 10** Put the SEAT SUPPORT on its side and slide the BACK- / ARMREST into the designated holes on the desired position.

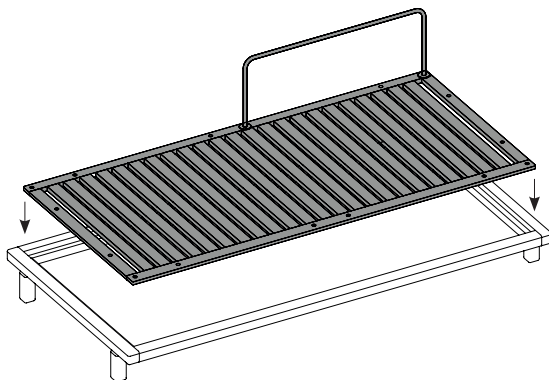


- 11** To secure the BACK- / ARMREST to the SEAT SUPPORT use 2 FLATHEAD SCREWS and 2 WASHERS per BACK- / ARMREST. Put the WASHER in between the FLATHEAD SCREW and the SEAT SUPPORT. Turn the FLATHEAD SCREWS with the ALLEN KEY clockwise to tighten them.

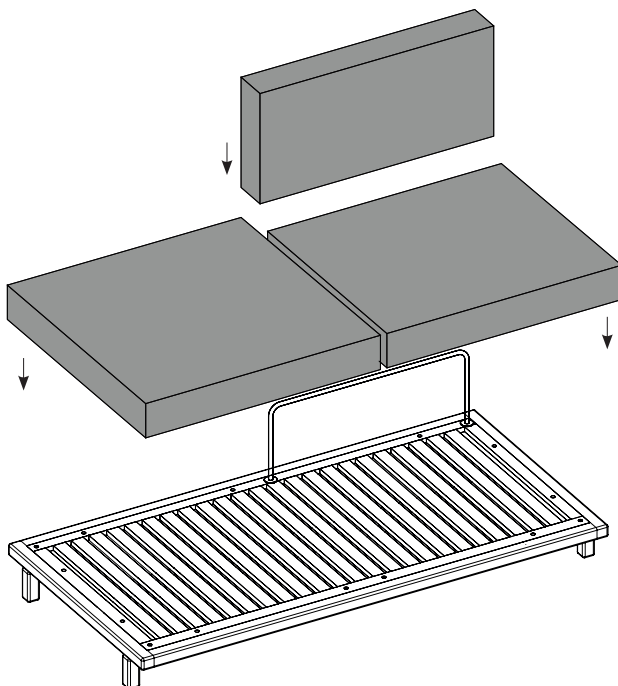




- 12** Place the assembled SEAT SUPPORTS into the designated FRAME.



- 13** Slide the pillows over the BACK- / ARMRESTS and put the pillows on top of the SEAT SUPPORT. When sliding the cushions over the BACK- / ARMRESTS make sure the side with the most cushioning is facing the sofa.







Tribù nv  
Oude Heidestraat 72  
3740 Bilzen  
BELGIUM

[www.tribu.com](http://www.tribu.com)  
[info@tribu.com](mailto:info@tribu.com)