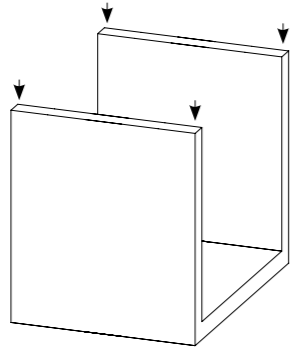


- 5** If you want to use the table in a n-shape you need to perform steps 1-3 on the locations shown on the picture below.



ASSEMBLY INSTRUCTIONS

C-TABLE

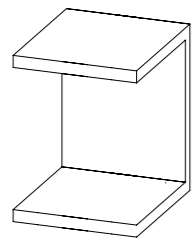
01285

Tribù nv
Oude Heidestraat 72
3740 Bilzen
BELGIUM

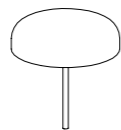
www.tribu.com
info@tribu.com

TRIBÙ
The art of leisure

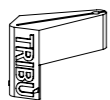
CONTENT



1 x
C-table



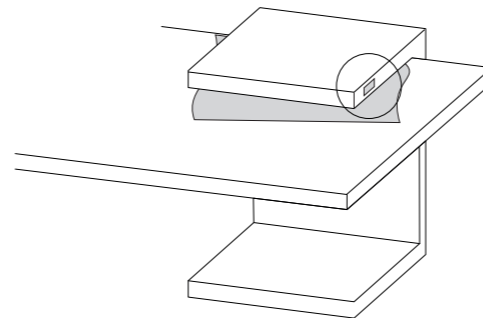
4 x
Glider



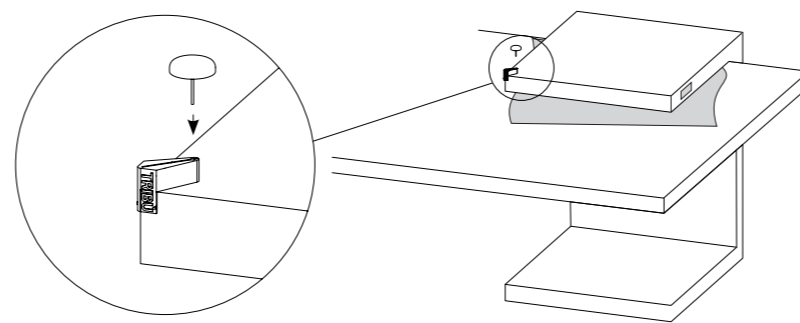
1 x
Glider positioner

ASSEMBLY INSTRUCTIONS

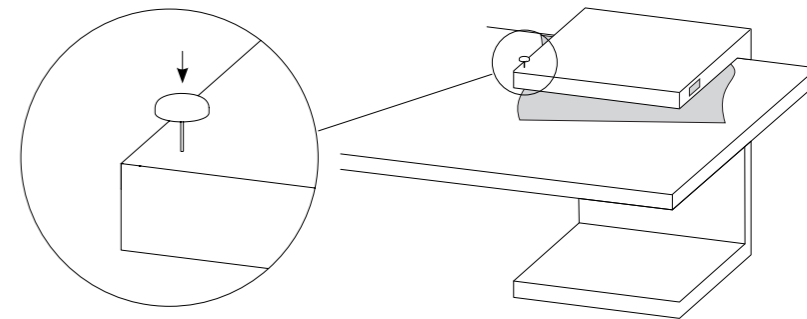
- 1** Hang the C-table over a tabletop with the Tribu-logo at the side that touches the tabletop. Place a soft material in between, like cardboard or cloth, to protect both C-table and your tabletop.



- 2** Place the glider positioner on the corner of the C-table. Insert a glider in the designated hole and lightly hammer it until the nail enters the wood.



- 3** Remove the glider positioner and hammer the glider in. Make sure the glider is fully hammered in so the glider touches the wood.



- 4** Repeat step 1-3 for the other 3 gliders. Finally, place the C-table with gliders facing down.

