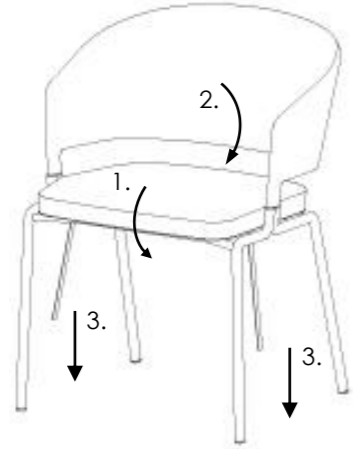


**1** Wrap the cushion around the seat plate. Wrap the front side first (1), then the back side(2). Then pull the straps to ensure the cushion is wrapper entirely around the seat plate(3).



**2** Finally attach the two straps to each other.



Tribù nv  
Langendijkstraat 5a  
3690 Zutendaal  
BELGIUM

[www.tribu.com](http://www.tribu.com)  
[info@tribu.com](mailto:info@tribu.com)

Assembly instructions  
Contour armchair  
01118

**TRIBÙ**  
The art of leisure

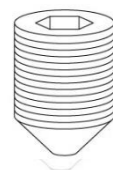
## Components



Seat frame



Backrest



4 x Headless screw



Cushion

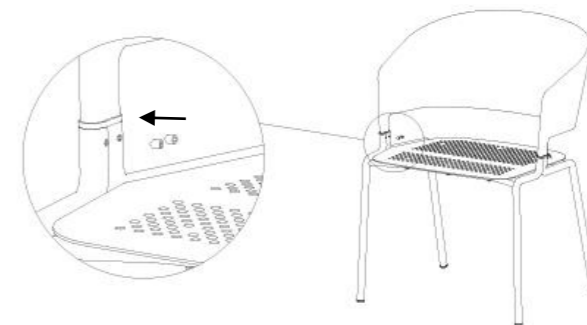
## Assembly Instructions

**1** Open the boxes and unpack the backrest and the seat.

**2** Insert the backrest into the seat frame.



**4** Use a hex key and 4 x Headless screw to secure the backrest.



**5** To attach the cushion, insert the 2 straps between the frame and the seat plate.

